

Customer :

Specification for Approval

Part Name : WH35EVD-xx80B

(Preliminary)

Customer : _____ 2015. . . .

Checked	Checked	Approved	Remark
/	/	/	

WOOREE E&L Co., Ltd. 2015. 11. 01.

Designed	Checked	Checked	Approved
/	/	/	/

WOOREE E&L CO., LTD 636-3, Sunggok-dong, Danwon-gu, Ansan-si, Kyunggy-do, Korea.

Tel (031)599-3013 Fax (031)494-3174

 **WOOREE** E&L Co.,Ltd.

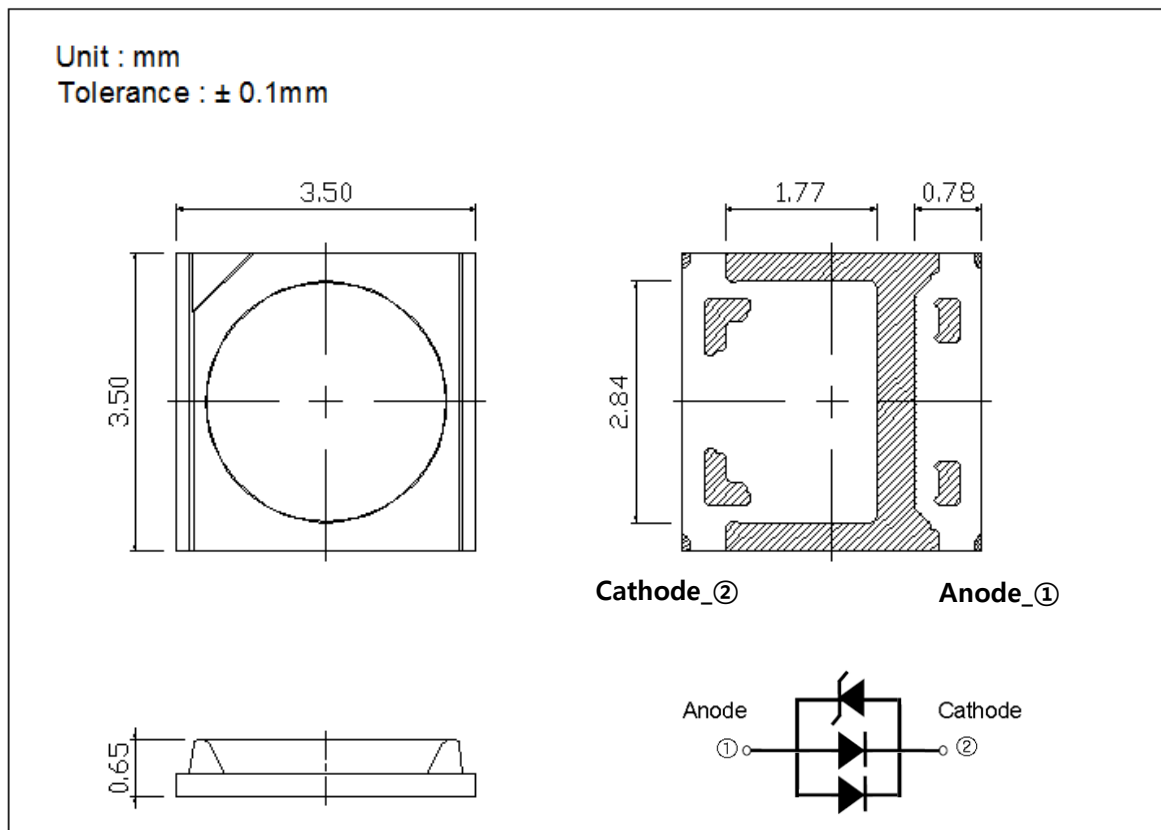
CONTENTS

1. Features
2. Outline Dimension
3. Absolute Maximum Ratings
4. Electrical / Optical Characteristics
5. Ranks
6. Color Spectrum
7. Characteristic Diagrams
8. Reliability
9. Recommend soldering conditions
10. Packing
11. Revision History

1. Features

- SMD Top View Type
- Luminescence Color : White
- Long Time Reliability
- Package size is 3.5 * 3.5 * 0.65t (mm), 2Lead
- Application : General Lighting

2. Outline Dimension



Part list

Parts No.	Name	Description
1	Chip source	Blue LED
2	Body	Thermosetting Resin
3	Lead frame base	Copper Alloy/ Ag plating
4	Phosphor	R.G color Emitting
5	Encapsulant	Silicone Resin

3. Absolute maximum ratings

Item	Symbol	Absolute Maximum Ratings	Unit
Forward Current	I_F	60	mA
Power Dissipation	P_D	2.0	W
Pulse Forward Current	I_{FP*1}	100	mA
Reverse Current	I_R	50	mA
Operating Temperature	T_{OPR}	-40 ~ +85	°C
Storage Temperature	T_{STG}	-40 ~ +100	°C
Solder Temperature	T_{SLD}	Reflow 260 °C, 10sec under Hand 340 °C 3sec under	°C
Junction Temperature	T_J	120	°C

*1. Pulse Width ≤ 10msec, Duty ≤ 10%

4. Electrical/Optical characteristics

($T_a=25^\circ\text{C}$)

Item	Symbol	Condition	Value			Unit
			Min.	Typ.	Max.	
Luminous Flux *1	Φ_v	$I_F=40\text{mA}$	140	160	-	lm
Forward Voltage *2	V_F	$I_F=40\text{mA}$	-	33	35	V
Color Temperature *3 [CIE 1931 Coordinates]	CCT	$I_F=40\text{mA}$	2580	-	7040	K
Reverse Voltage	V_R	$I_R=5\text{mA}$	0.7	-	1.2	V
Viewing Angle	$2\theta_{1/2}$	$I_F=40\text{mA}$	-	120	-	Deg.
Color Rendering Index	R_a	$I_F=40\text{mA}$	80	-	-	-
Thermal Resistance	R_{TH}	$I_F=40\text{mA}$	-	11	-	°C/W

*1. Luminous Flux measurement allowance is ±10%

*2. Forward voltage measurement allowance is ±0.5V

*3. CIE coordinates measurement: ±0.005

5. Ranks

(1) Forward Voltage

(Ta=25℃)

Rank	Condition	Min.	Max.	Unit
2	I _F = 40mA	32	33	V
3		33	34	
4		34	35	

(2) Luminous Flux

(Ta=25℃)

Rank	Condition	2700K	3000K	4000K	5000K	5700K	6500K	Unit
A40	I _F = 40mA	140-150	-	-	-	-	-	lm
A50		150-160	150-160	150-160	-	-	150-160	
A60		160-170	160-170	160-170	160-170	160-170	160-170	
A70		170-180	170-180	170-180	170-180	170-180	170-180	
A80		-	170-180	180-190	180-190	180-190	180-190	
A90		-	-	190-200	190-200	190-200	190-200	

(3) Chromaticity coordinates

($I_F= 40\text{mA}$, $T_a=25^\circ\text{C}$)

2700K (2580 - 2870K)

27R		27S		27T		27U	
x	y	x	y	x	y	x	y
0.4476	0.3918	0.4578	0.4101	0.4593	0.3944	0.4698	0.4130
0.4373	0.3893	0.4469	0.4082	0.4476	0.3918	0.4578	0.4101
0.4469	0.4082	0.4562	0.4260	0.4578	0.4101	0.4687	0.4295
0.4578	0.4101	0.4687	0.4295	0.4698	0.4130	0.4813	0.4319

3000K (CCT 2870 - 3220K)

30R		30S		30T		30U	
x	y	x	y	x	y	x	y
0.4258	0.3859	0.4338	0.4030	0.4373	0.3893	0.4469	0.4082
0.4147	0.3814	0.4227	0.3999	0.4258	0.3859	0.4338	0.4030
0.4227	0.3999	0.4299	0.4165	0.4338	0.4030	0.4423	0.4212
0.4338	0.4030	0.4423	0.4212	0.4469	0.4082	0.4562	0.4260

3500K (CCT 3220 - 3710K)

35R		35S		35T		35U	
x	y	x	y	x	y	x	y
0.4015	0.3759	0.4073	0.3917	0.4147	0.3814	0.4227	0.3999
0.3889	0.3690	0.3947	0.3867	0.4015	0.3759	0.4073	0.3917
0.3947	0.3867	0.3996	0.4015	0.4073	0.3917	0.4138	0.4095
0.4073	0.3917	0.4138	0.4095	0.4227	0.3999	0.4299	0.4165

4000K (CCT 3710 - 4260K)

40R		40S		40T		40U	
x	y	x	y	x	y	x	y
0.3780	0.3649	0.3818	0.3797	0.3898	0.3716	0.3947	0.3867
0.3670	0.3578	0.3700	0.3728	0.3780	0.3649	0.3818	0.3797
0.3700	0.3728	0.3736	0.3874	0.3818	0.3797	0.3857	0.3949
0.3818	0.3797	0.3857	0.3949	0.3947	0.3867	0.4006	0.4044

4500K (CCT 4260 - 4745K)

45R		45S		45T		45U	
x	y	x	y	x	y	x	y
0.3589	0.3520	0.3611	0.3658	0.3670	0.3578	0.3700	0.3728
0.3512	0.3465	0.3529	0.3609	0.3589	0.3520	0.3611	0.3658
0.3529	0.3609	0.3548	0.3736	0.3611	0.3658	0.3634	0.3801
0.3611	0.3658	0.3634	0.3801	0.3700	0.3728	0.3736	0.3874

5000K (CCT 4735K ~ 5311K)

50R		50S		50T		50U	
x	y	x	y	x	y	x	y
0.3437	0.3424	0.3447	0.3553	0.3515	0.3487	0.3529	0.3609
0.3366	0.3369	0.3369	0.3485	0.3437	0.3424	0.3447	0.3553
0.3369	0.3485	0.3376	0.3616	0.3447	0.3553	0.3456	0.3678
0.3447	0.3553	0.3456	0.3678	0.3529	0.3609	0.3551	0.3760

5700K (CCT 5311 ~ 6020K)

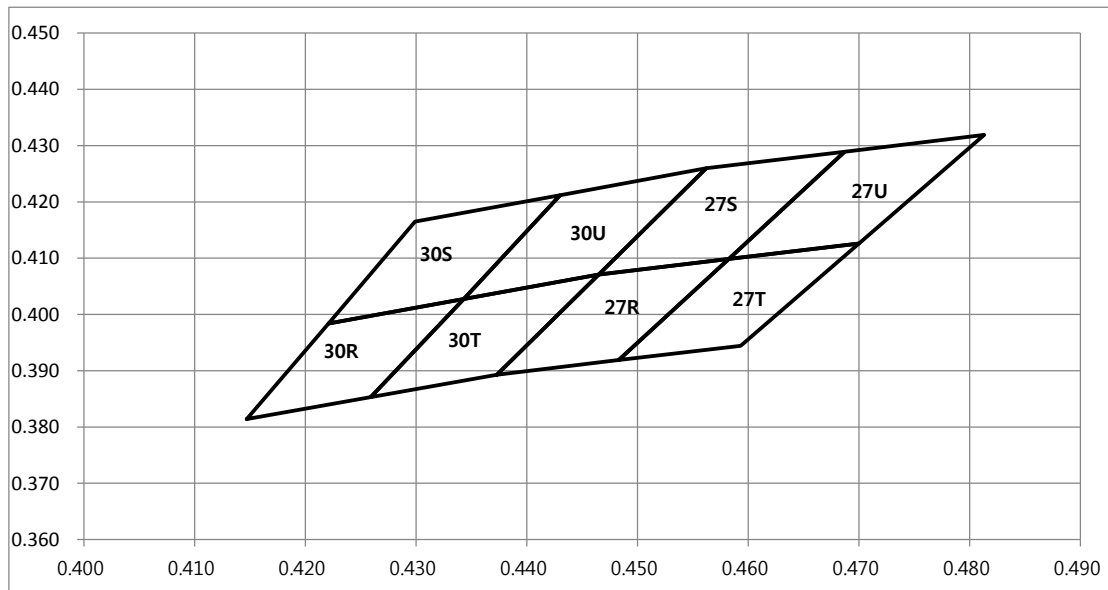
57R		57S		57T		57U	
x	y	x	y	x	y	x	y
0.3289	0.3302	0.3287	0.3417	0.3366	0.3369	0.3369	0.3485
0.3222	0.3243	0.3213	0.3360	0.3289	0.3302	0.3287	0.3417
0.3213	0.3360	0.3207	0.3462	0.3287	0.3417	0.3284	0.3535
0.3287	0.3417	0.3284	0.3535	0.3369	0.3485	0.3376	0.3616

6500K (CCT 6020 ~ 7040K)

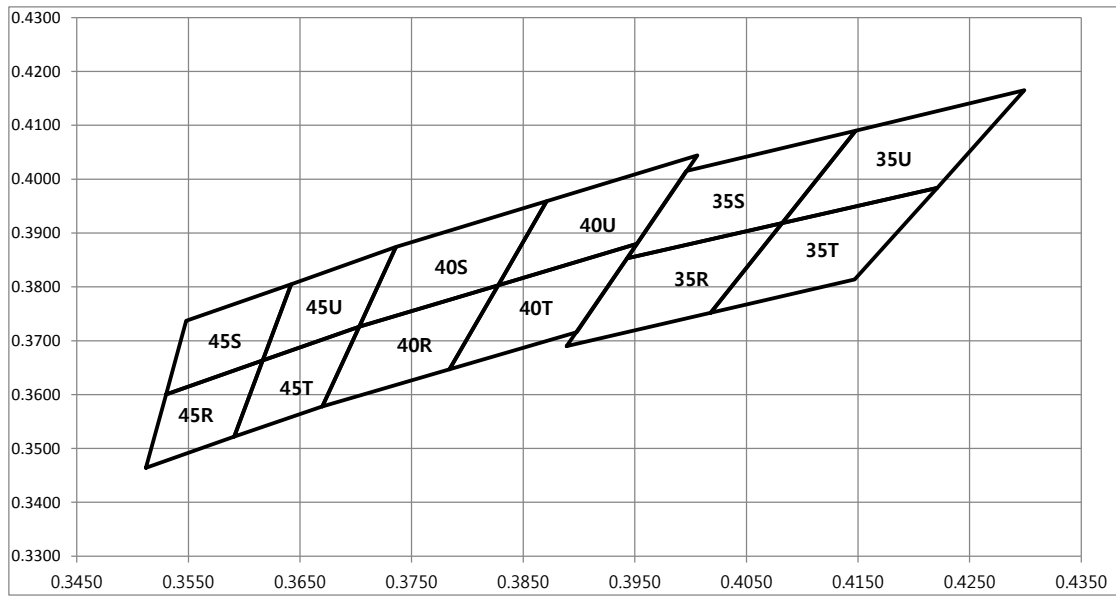
65R		65S		65T		65U	
x	y	x	y	x	y	x	y
0.3137	0.3180	0.3123	0.3283	0.3221	0.3261	0.3213	0.3360
0.3068	0.3113	0.3050	0.3203	0.3137	0.3180	0.3123	0.3283
0.3050	0.3203	0.3028	0.3304	0.3123	0.3283	0.3109	0.3385
0.3123	0.3283	0.3109	0.3385	0.3213	0.3360	0.3205	0.3481

(4) Chromaticity Coordinates Diagram

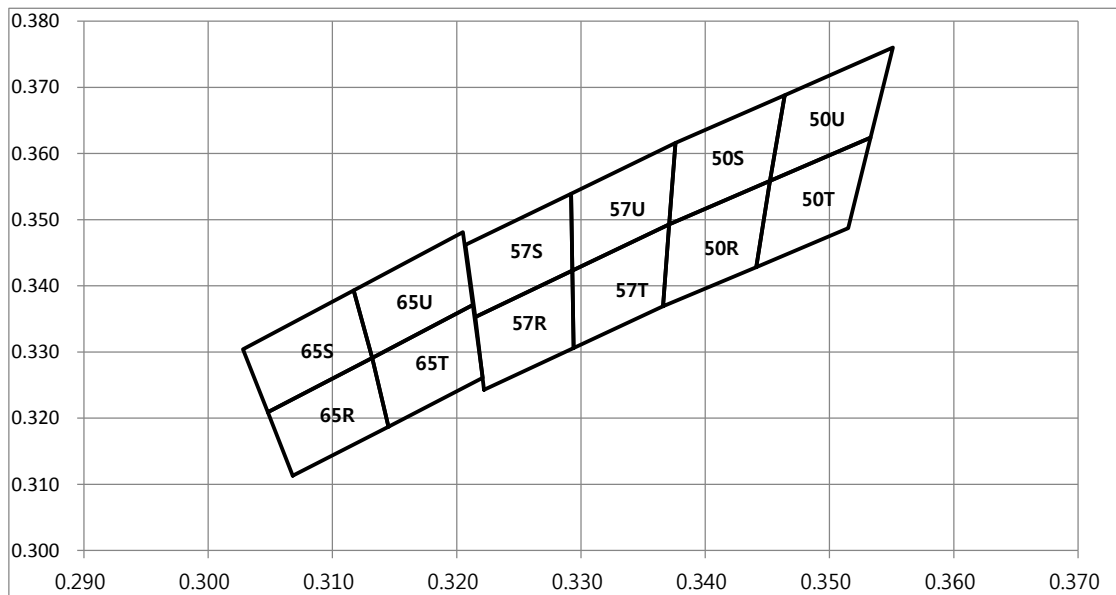
($I_F=40mA$, $T_a=25^\circ C$)



(2700k ~ 3000k)

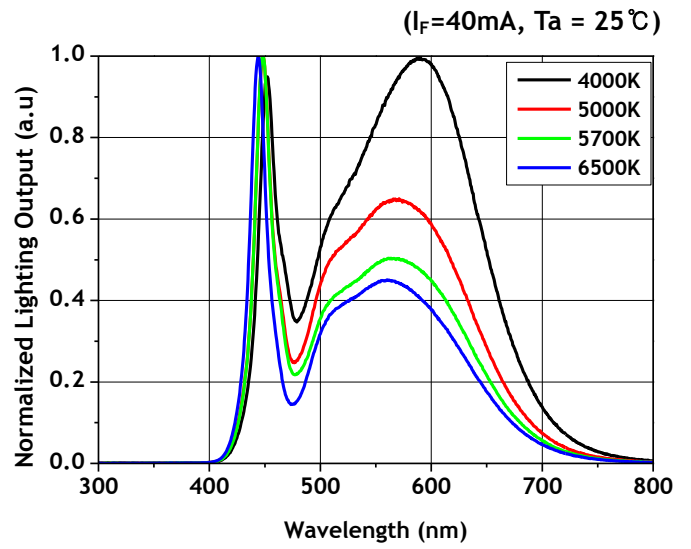
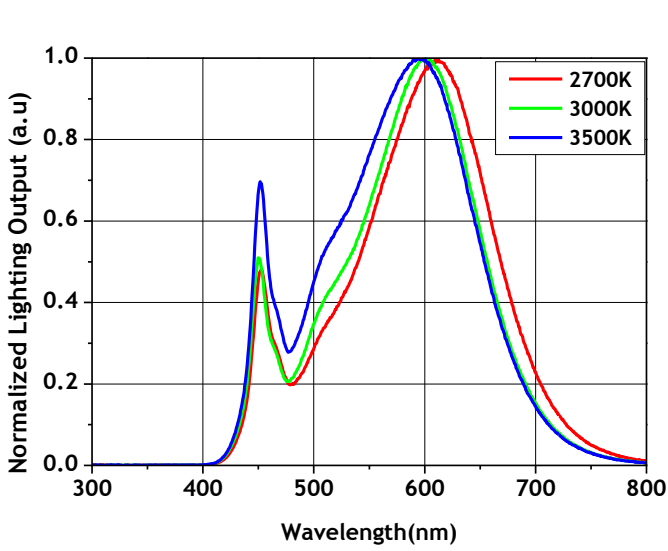


(3500k ~ 4500k)



(5000k ~ 6500k)

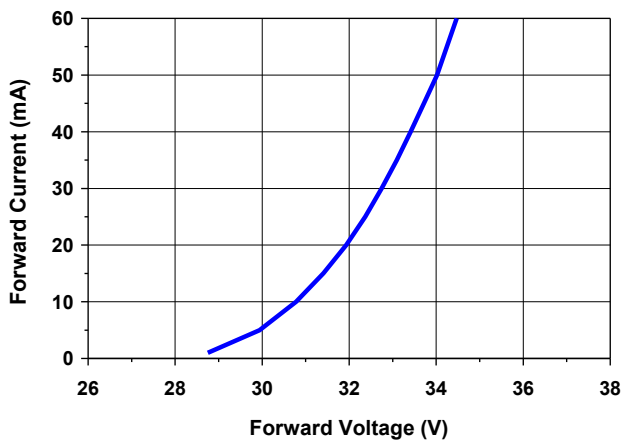
6. Color Spectrum



7. Characteristic Diagrams

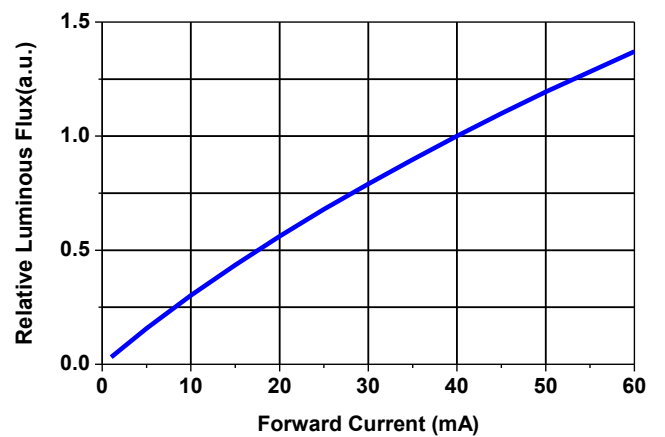
(1) Forward Voltage vs Forward Current

($T_a = 25^\circ\text{C}$)

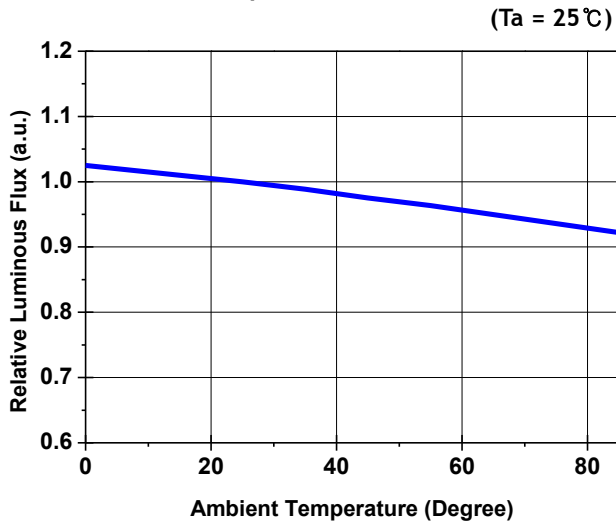


(2) Forward Current vs Relative L-Flux

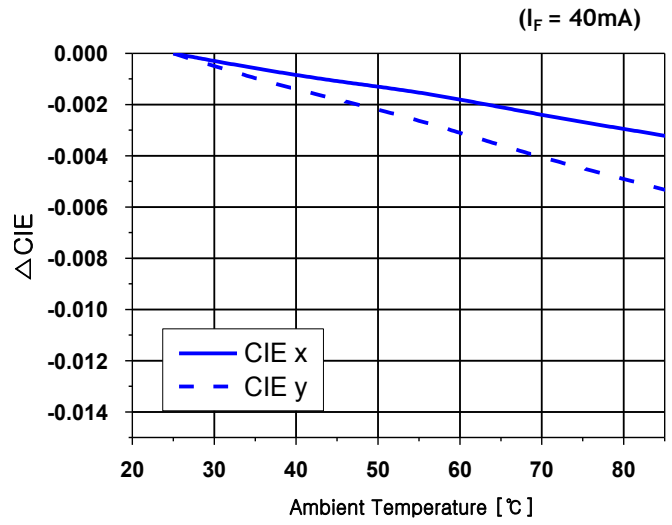
($T_a = 25^\circ\text{C}$)



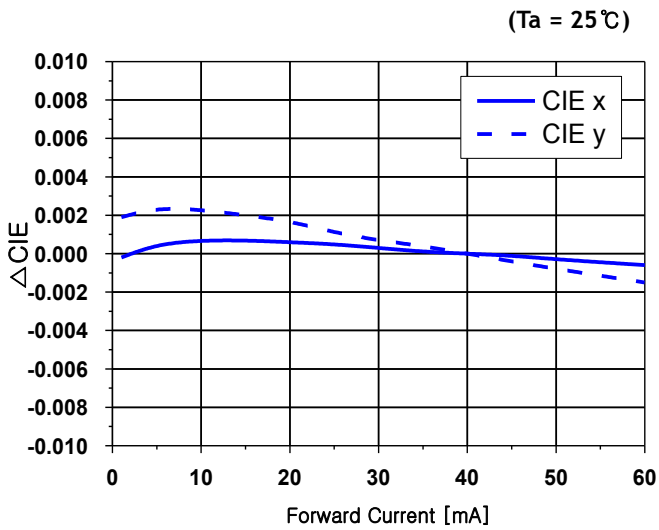
(3) Relative Luminous Flux vs Ambient Temperature



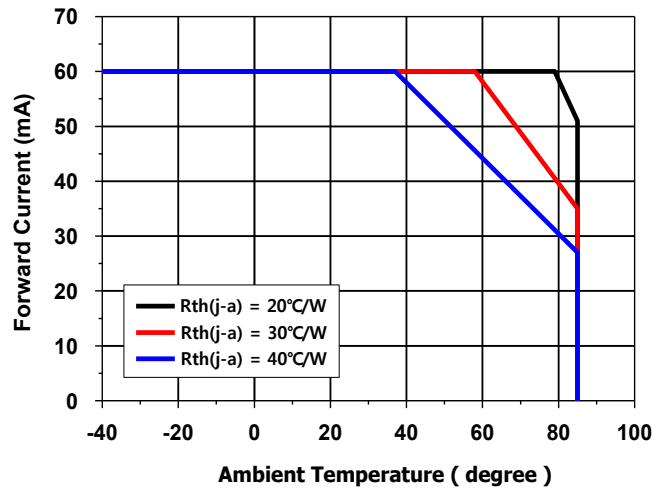
(4) $\Delta\text{CIE } x, \Delta\text{CIE } y$ vs Ambient Temperature



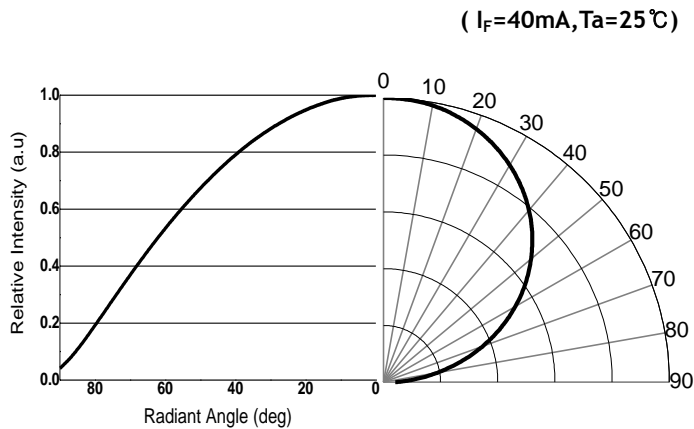
(5) $\Delta\text{CIE } x, \Delta\text{CIE } y$ vs Forward Current



(6) Ambient Temperature vs Allowable Forward Current



(7) View angle profile



8. Reliability

(1) Test items and results

NO	Test Item	Standard Test Method	Test Conditions	Note	Number of Damaged
1	Temperature Cycle	JEITA ED-4701 100 105	-40℃ ~ 25℃ ~ 100℃ ~ 25℃ 30min. 5min. 30min. 5min	100 cycles	0/20
2	High Temperature Storage	JEITA ED-4701 200 201	Ta=85℃	1000 hrs	0/20
3	Temperature Humidity Storage	JEITA ED-4701 100 103	Ta=85℃, RH=85%	1000 hrs	0/20
4	Low Temperature Storage	JEITA ED-4701 200 202	Ta=-40℃	1000 hrs	0/20
5	Steady State Operating Life	-	Ta=25℃, I _F =40mA	1000 hrs	0/20
6	Steady State Operating Life of High Temperature	-	Ta=85℃, I _F =40mA	1000 hrs	0/20
7	Steady State Operating Life of High Humidity Heat	-	Ta=85℃, RH=85%, I _F =40mA	1000 hrs	0/20
8	Steady State Operating Life of Low Temperature	-	Ta=-40℃, I _F =40mA	1000 hrs	0/20
9	Electro-Static Discharge Threshold	JEITA ED-4701 300 304	HBM, 1.5kΩ, 100pF (Positive / Negative)	2kV	0/10

(2) Criteria for judging the damage

ITEM	Symbol	Test Condition	Criteria for Judgement	
			Min.	Max.
Forward Voltage	VF	I _F =40mA	-	USL *1 × 1.2
Luminous Intensity	Iv	I _F =40mA	LSL*2 × 0.7	

*1) U.S.L. : Upper Standard Level *2) L.S.L : Lower Standard Level

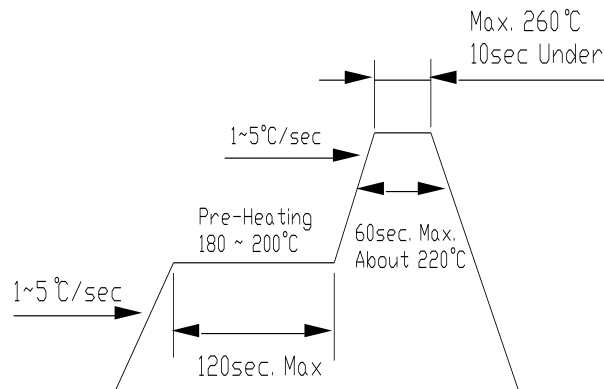
9.Recommend soldering conditions

(1) Recommend soldering conditions

Reflow Soldering		Hand Soldering(Lead Part)	
Pre-heat Pre-heat time Peak temperature Soldering Time Condition	Lead Free Solder	Temperature Soldering Time	Max. 340℃ Max. 3sec (only one time)
	180-200℃ 120sec. Max. Max. 260℃ Max. 10sec		

Temperature-profile

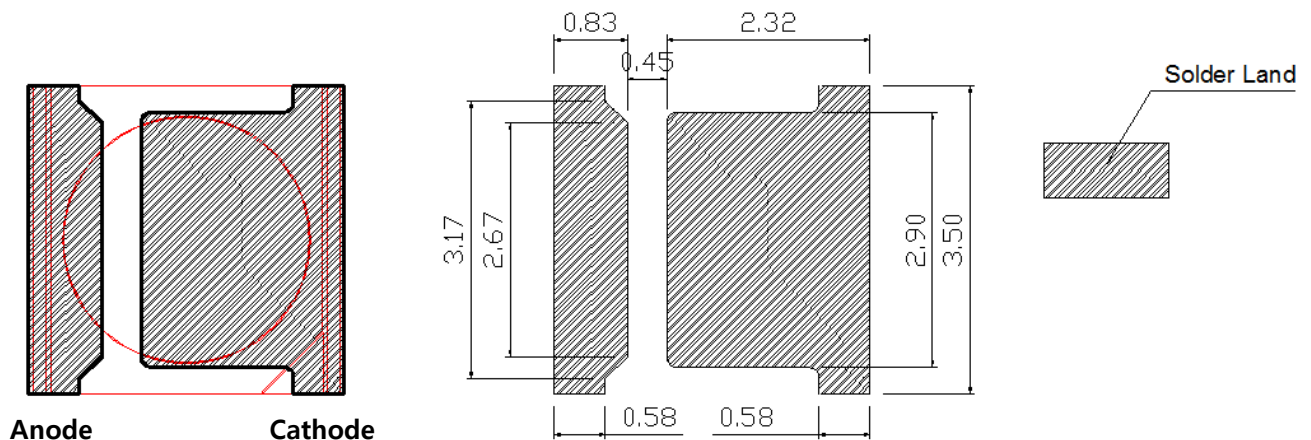
<Lead-free Solder>



<Recommended soldering pad design>

Unit : mm

Tolerance±0.05



(2)Moisture Proof Package

When moisture is absorbed into the SMT package it may vaporize and expand during soldering. There is a possibility that this can cause exfoliation of the contacts and damage to the optical characteristics of the LEDs. For this reason, the moisture proof package is used to keep moisture to a minimum in the package. The moisture proof package is made of an aluminum moisture proof bag. A package of a moisture absorbent material(silica gel) is inserted into the aluminum moisture proof bag. The silica gel changes its color from blue to pink as it absorbs moisture.

(3)Storage

[Storage conditions]

Before opening the package

The LEDs should be kept at 30℃ or less and 90% RH or less. The LEDs should be used within a year. When storing the LEDs, moisture proof packaging with absorbent material(silica gel) is recommended.

After opening the package

The LEDs should be kept at 30℃ or less and 70% RH or less. The LEDs should be soldered within 168 hours(7days) after opening the package. If unused LEDs remain, they should be stored in moisture proof packages, such as sealed containers with package of moisture absorbent material(silica gel). It is also recommended to return the LEDs to the original moisture proof bag and to reseal the moisture proof bag again.

If the moisture absorbent material(silica gel) has faded away or the LEDs have exceeded the storage time, baking treatment should be performed using the following conditions.

Baking treatment : more than 24hours at 65±5℃

WOOREE E&L part's electrodes and leadframes are silver plated copper alloy.

The silver surface may be affected by environments which contain corrosive substances.

Please avoid conditions which may cause the LED to corrode, tarnish or discolor.

The corrosion or discoloration might lower solderability or might affect on optical Characteristics.

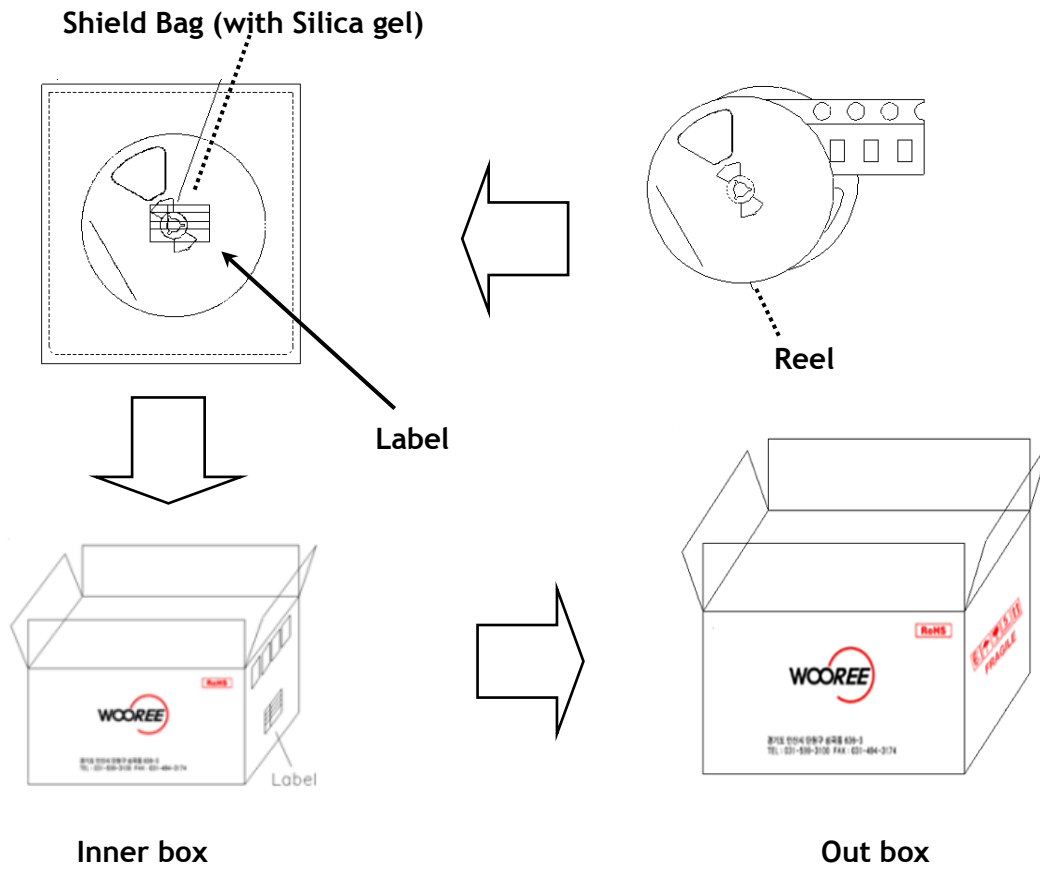
Please avoid rapid transitions in ambient temperature, especially in high humidity environments where condensation can occur.

(4)Heat Generation

Thermal design of the end product is of paramount importance. Please consider the heat generation of the LED when making the system design. The coefficient of temperature increase per input electric power is affected by the thermal resistance of the circuit board and density of LED placement on the board, as well as other components. It is necessary to avoid intense heat generation and operate within the maximum ratings given in the specification.

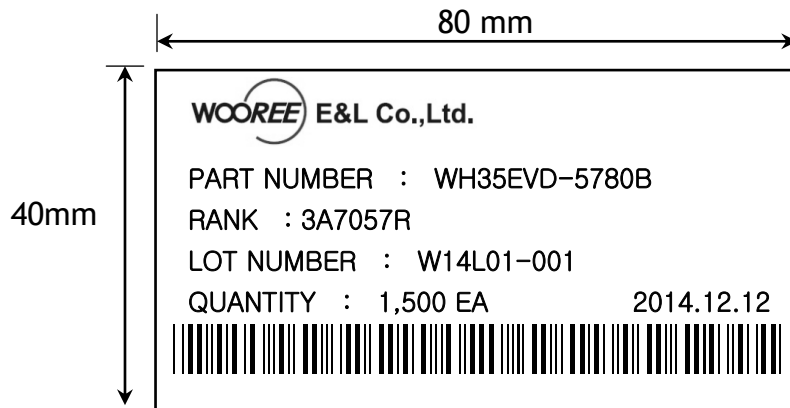
The operating current should be decided after considering the ambient maximum temperature of LEDs.

(3) Boxing

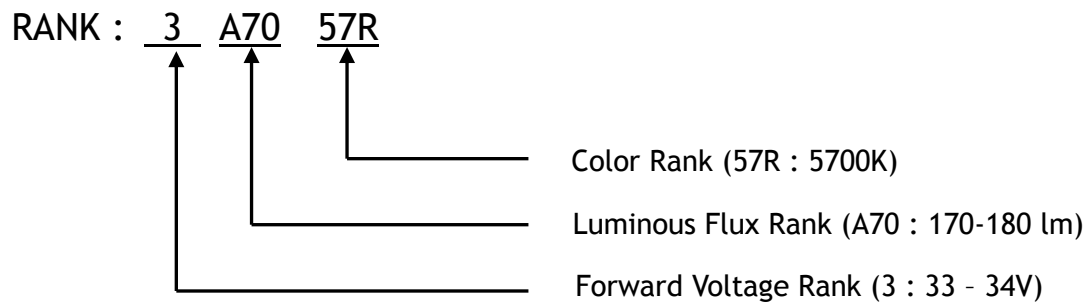


Box	Dimension (mm)	Reel/Box	Quantity/Box
Inner box	500*260*250	30 Reel max.	45,000 ea
Out box	555*515*540	120 Reel max.	180,000 ea

(4) Label Information



(6) Rank Code description



11. Revision History

Spec NO.			
Title	Specification for Approval		
Times	Date	Summary of revision	Remarks
1	2015. 11 .01	INITIAL ISSUE	R(0)